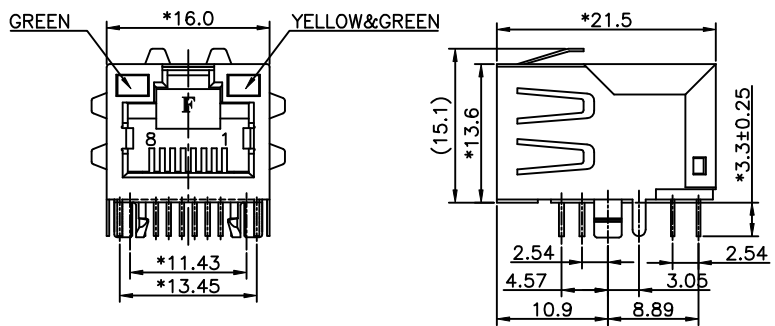
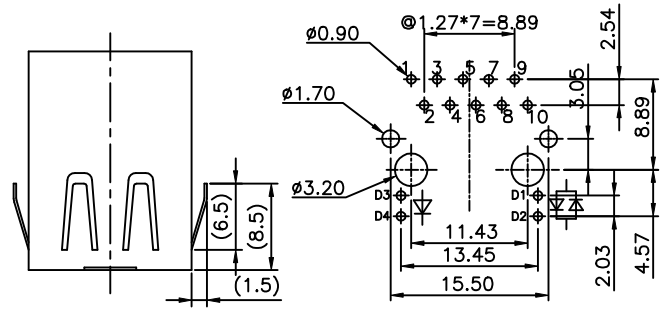
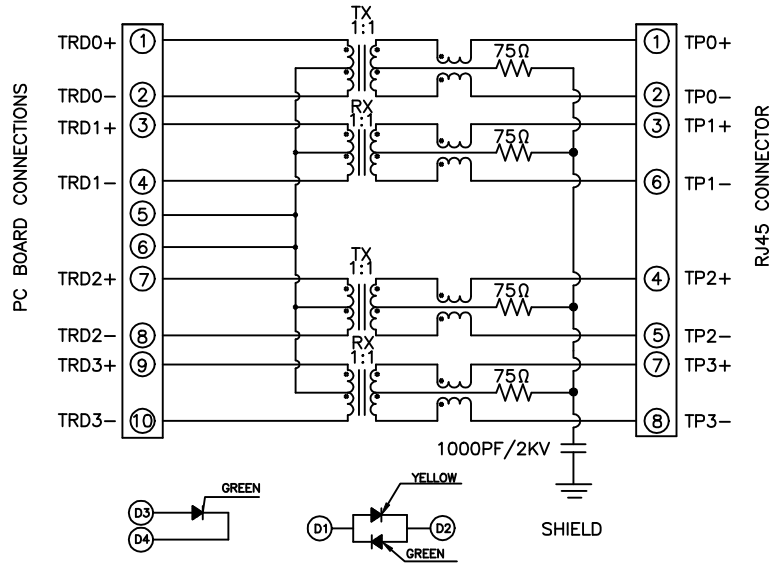


REVISION RECORD				
REV	ECO	DESCRIPTION	DRFT	CHKD
▲		MODIFY P/N	SHJ 07/19/04	
▲		MODIFY NOTE	SHJ 12/18/04	



Schematic:



NOTES:

Characteristics Description:

1. RJ45 10/1000 Base-Tx Transformer Jack With Transformer/ Impedance Resistor/High Voltage Capacitor.
2. Size Same As RJ-45 Modular Jack To Save PCB Board Space.
3. Reduce EMI Radiation, Improve EMI Performance.
4. Designed For Network Interface Card Application.
5. Designed To Meet IEEE 802.3u Requirement.
6. Designed For 100 Base Transmission over UTP-5 Cable.
7. Operation Temperature Range: 0°C To 70°C

Electrical Specification:

1. Insertion Loss: 0.5 dB MAX @ 1-60 MHZ
1.0 dB MAX @ 60-100 MHZ
1.2 dB MAX @ 100-125 MHZ
2. Return Loss: 16 dB MIN @ 1-30 MHZ. Load 100 OHM
13.5 dB MIN @ 30-40 MHZ. Load 100 OHM
11.5 dB MIN @ 40-50 MHZ. Load 100 OHM
10.0 dB MIN @ 50-80 MHZ. Load 100 OHM
- ▲ 3. Cross Talk: 40 dB MIN @ 1-30 MHZ
35 dB MIN @ 30-60 MHZ
30 dB MIN @ 60-100 MHZ
4. CMRR: 30 dB MIN @ 1-100 MHZ
5. Isolation @ 60 HZ: INPUT TO OUTPUT 1500 Vrms, 1 Minute.
6. Primary Inductance: @ 100 KHZ, 0.1 Vrms, 8 mA DC Bias: 350 uH MIN.

Mechanical:

1. Housing Material : Glass Filled Polyester UL94V-0.
2. Contact Mateial : Phosphor Bronze t=0.35mm.
3. Plating : 1:Contact Area- Selectine Gold Plating.
2:Tails- Tin-Lead Over Nickel.
4. Operating Life : 750 Cycles Min.
5. Pcb Retention Pre-Solder : 1 Lb Min.
6. Pcb Retention Post-Solder : 10 Lbs Min.

Environmental:

1. Storage : -40°C To+85°C.
- Mates With Modular Plug Conforming To Fcc Part 68, Subpart F.

▲ Part Number: E5TAB-YAYSXX

Gold Plating:
1-3u" 2-6u" 3-15u"
4-30u" 5-50u"
1-W/"F" LOGO
0-W/O "F" LOGO

← MM (INCH) →		DFTO SHJ	DATE 07/15/04	FULL RISE ELECTRONIC CO., LTD	
TOLERANCES EXCEPT AS NOTED		CHKD GIMPU	DATE 2004/12/20		
MM	±	MFO	DATE	TITLE Latch UP Tr's LED JACK(1X1)	
.0 ±0.20	±	APPV LUSHEGND	DATE 2004/12/20		
.00 ±0.15	±	MATERIAL :		DRAWING NO. GE5T3148	
.000 ±0.075	±	ANGLES ±		/PART NO. SEE NOTE	
THIRD ANGLE PROJECTION		FINISH :		DO NOT SCALE DRAWING	SHEET 1 OF 1
		SCALE : 2:1		SIZE A3	REV 2 12/18/04